



# JST-EAMH-(620-640)W-TD

SMBB HALF-CELL N-Type TOPCon

Bifacial Double Glass Monocrystalline PV Module

**620-640W**

POWER RANGE

**22.90%**

MAXIMUM EFFICIENCY

**0.40%**

YEARLY DEGRADATION



12 YEARS PRODUCT WARRANTY



30 YEARS OUTPUT GUARANTEE



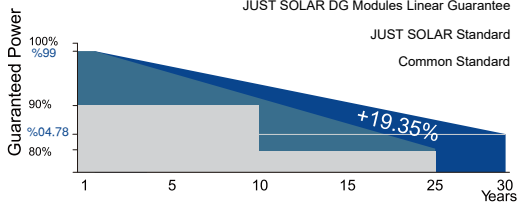
IEC 61215/IEC 61730

ISO 14001: Environmental Management System

ISO 9001: Quality Management System

ISO45001: Occupational Health and Safety Management System

\*As there are different certification requirements in different markets, please contact your local sales representative for the specific certificates applicable to the products in the region in which the products are to be used.



\*Please check the valid version of Limited Product Warranty which is officially released by JUST SOLAR GROUP LIMITED.

## Key Features



### Excellent Cells Efficiency

SMBB technology reduce the distance between busbars and finger grid line which is benefit to power increase.



### Better Weak Illumination Response

More power output in weak light condition, such as haze, cloudy, and early morning.



### Anti PID

Ensured PID resistance through the quality control of cell manufacturing process and raw materials.



### Adapt To Harsh Outdoor Environment

Resistant to harsh environments such as salt, ammonia, sand, high temperature and high humidity environment.



### Reaction to Fire Class 1

In conformity with standard UNI 9177:1987, reaction to fire class 1.



### Excellent Quality Management System

Warranted reliability and stringent quality assurances well beyond certified requirements.

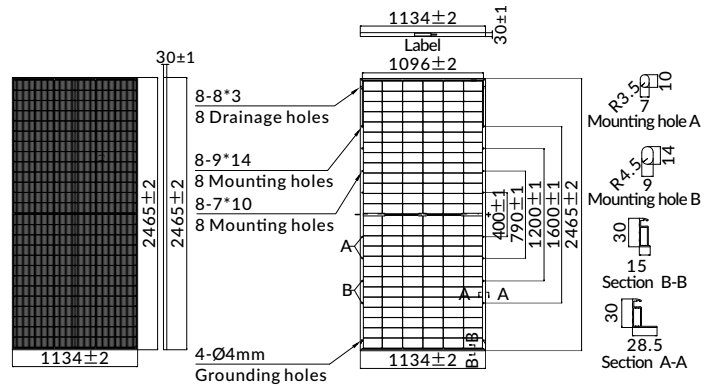


### Bifacial Technology

Up to 25% additional power gain from back side depending on albedo.

**MECHANICAL CHARACTERISTICS**

Solar Cells	N-type Mono
No. of Cells	156 (6x26)
Dimensions	2465 x 1134 x 30mm
Weight	34.5kg
Front / Back Glass	2.0mm coated semi-tempered glass
Frame	Anodized aluminium alloy (reinforced high-load optional)
Junction Box	Ip68 rated (3 by pass diodes)
Output Cables	4.0mm <sup>2</sup> 250mm (+) / 350mm (-) Length can be customized
Connectors	Mc4 compatible
Mechanical load test	Front 5400Pa / Rear 2400Pa



**ELECTRICAL PARAMETERS**

POWER CLASS	620		625		630		635		640	
	STC	NMOT	STC	NMOT	STC	NMOT	STC	NMOT	STC	NMOT
Maximum power (Pmax)	620W	467W	625W	471W	630W	475W	635W	479W	640W	483W
Open Circuit Voltage (Voc)	55.64V	52.67V	55.75V	52.78V	55.87V	52.89V	55.98V	52.99V	56.09V	53.10V
Short Circuit Current (Isc)	14.18A	11.44A	14.25A	11.50A	14.32A	11.56A	14.39A	11.62A	14.46A	11.68A
Voltage at Maximum power (Vmpp)	46.03V	42.73V	46.16V	42.86V	46.29V	42.99V	46.42V	43.11V	46.55V	43.24V
Current Maximum Power (Impp)	13.47A	10.93A	13.54A	10.99A	13.61A	11.05A	13.68A	11.11A	13.75A	11.17A
MODULE EFFICIENCY (%)	22.18%		22.36%		22.54%		22.72%		22.90%	

STC: Irradiance 1000W/m<sup>2</sup>, cell temperature 25°C, AM1.5G    NMOT: Irradiance 800W/m<sup>2</sup>, ambient temperature 20°C, wind speed 1m/s, AM1.5G

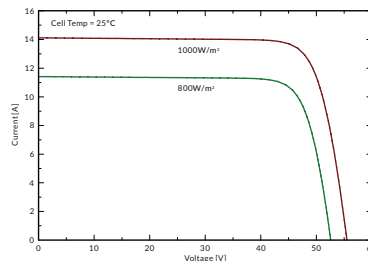
**BIFACIAL OUTPUT-REAR SIDE POWER GAIN**

Gain	Parameter	620	625	630	635	640
5%	Maximum power (Pmax)	651W	656W	662W	667W	672W
	Module Efficiency STC (%)	23.29%	23.48%	23.66%	23.85%	24.04%
15%	Maximum power (Pmax)	713W	719W	725W	730W	736W
	Module Efficiency STC (%)	25.51%	25.71%	25.92%	26.12%	26.33%
25%	Maximum Power (Pmax)	775W	781W	788W	794W	800W
	Module Efficiency STC (%)	27.73%	27.95%	28.17%	28.40%	28.62%

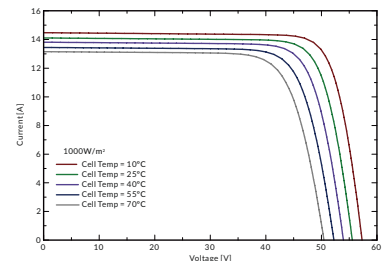
**PACKING CONFIGURATION**

Container	40'HQ
Pieces per pallet	36
Pallets per container	20
Pieces per container	720

**I-V CURVE**



**JST-EAMH-620W-TD**



**OPERATING CHARACTERISTICS**

Operating Module Temperature	-40°C to +85°C
Maximum System Voltage	1500 DC (IEC)
Maximum Series Fuse Rating	30A
Power Tolerance	0/+5W

**TEMPERATURE CHARACTERISTICS**

Nominal Operating Temperature (NMOT)	45±2°C
Temperature Coefficient of Pmax	-0.29%/°C
Temperature Coefficient of Voc	-0.25%/°C
Temperature Coefficient of Isc	+0.045%/°C